

SL-T3020IRC050-L236-C-S

Absolute Maximum Ratings at Ta=25

1. Storage and operating:

Electrical Optical Characteristics at Ta=25

	2					
Peak Wavelength	p	---	940	---	nm	I
		---	50	---	nm	I

Note:

2

Typical Electrical / Optical Characteristics Curves (25 Ambient Temperature Unless Otherwise Noted)

Fig.1 Spectral Distribution

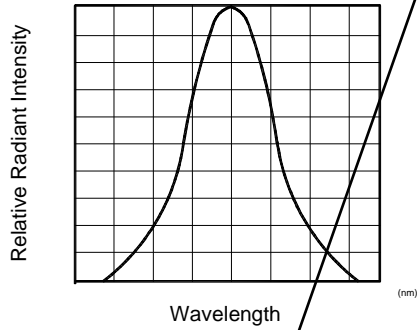


Fig.2 Forward Current Vs Ambient Temperature

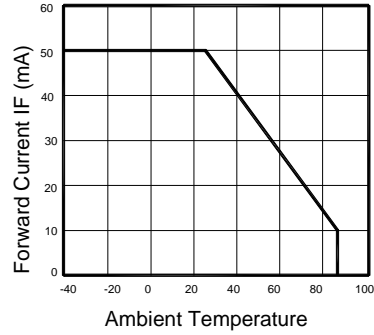


Fig.4 Relative Radiant Intensity Vs Ambient Temperature

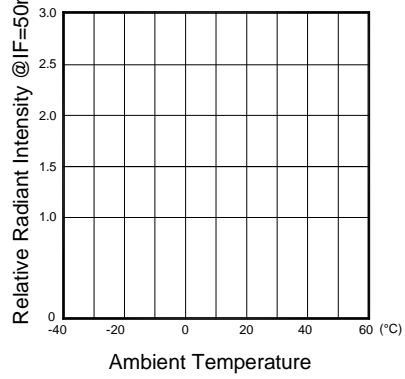
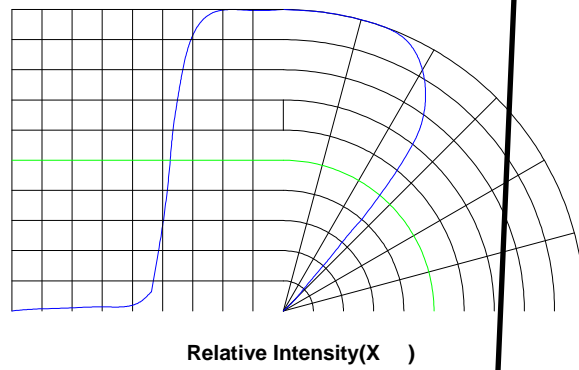
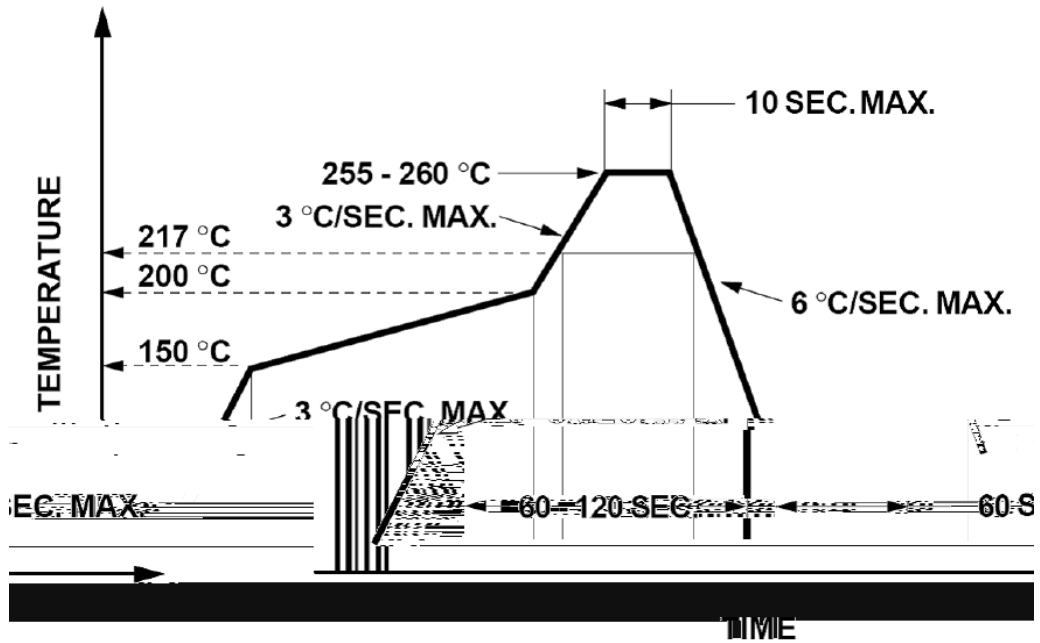


Fig.6 Radiation Diagram





Suggest IR Reflow Condition For Lead Free



Soldering iron

°C

Repairing

