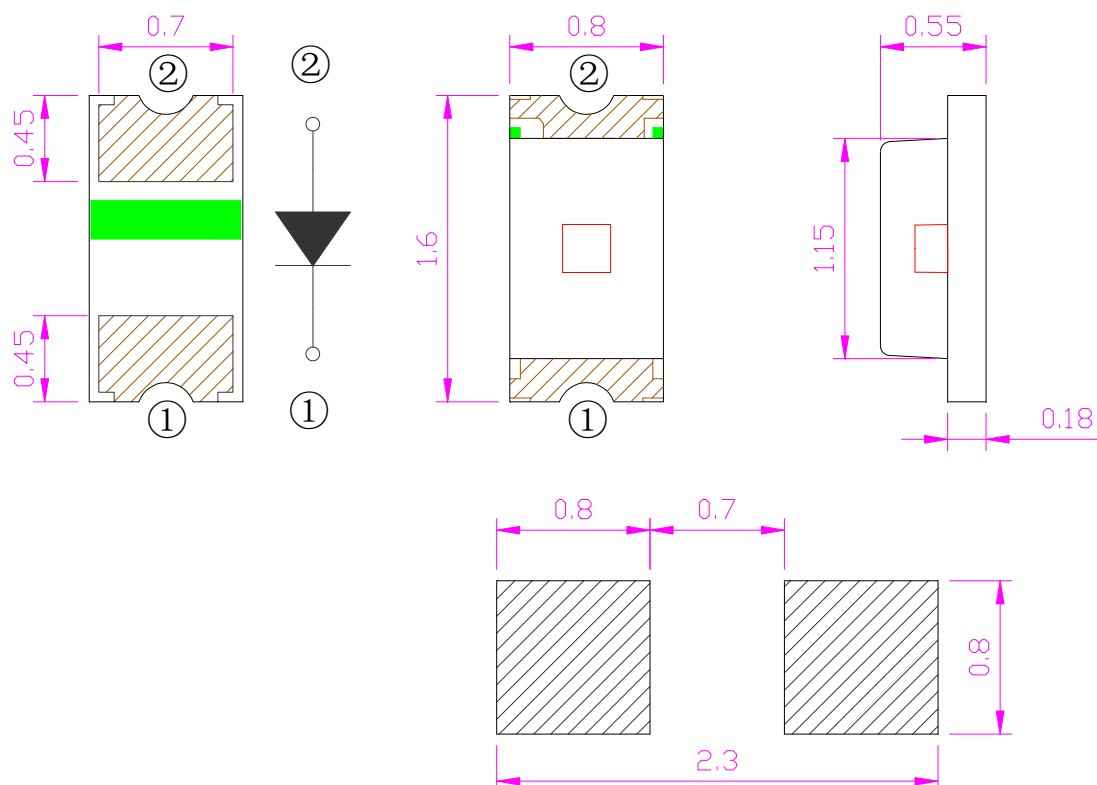


## Features

- Pb free product—RoHS compliant
- Low power consumption, High efficiency
- Reliable and rugged
- Long life – solid state reliability
- Viewing Angle: 140°

## Package Dimension



Part NO.	Lens Color	Source Color
SL-T0603SRC020-L55	Water Clear	Red

### Notes:

1. All dimensions are in millimeters.
2. Tolerance is  $\pm 0.10$ mm unless otherwise noted
3. Specifications are subject to change without notice.







## Label Explanation

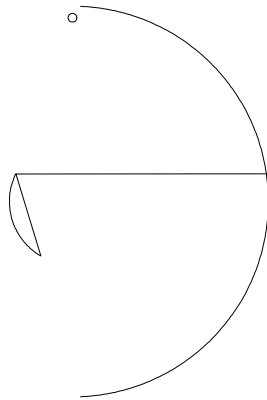
LIGHT Universal Label  
(Reel Label)

<b>LIGHT</b>	
Li ght El ectroni cs CO , LTD.	
MODEL NAME: _____	LOT NO: _____
QUANTI TY: _____	
BI N: _____	
PACKI NG DATE: _____	
REMARKS: _____	

Customer Defined Label  
(Aluminum Moisture Proof Bag Label)

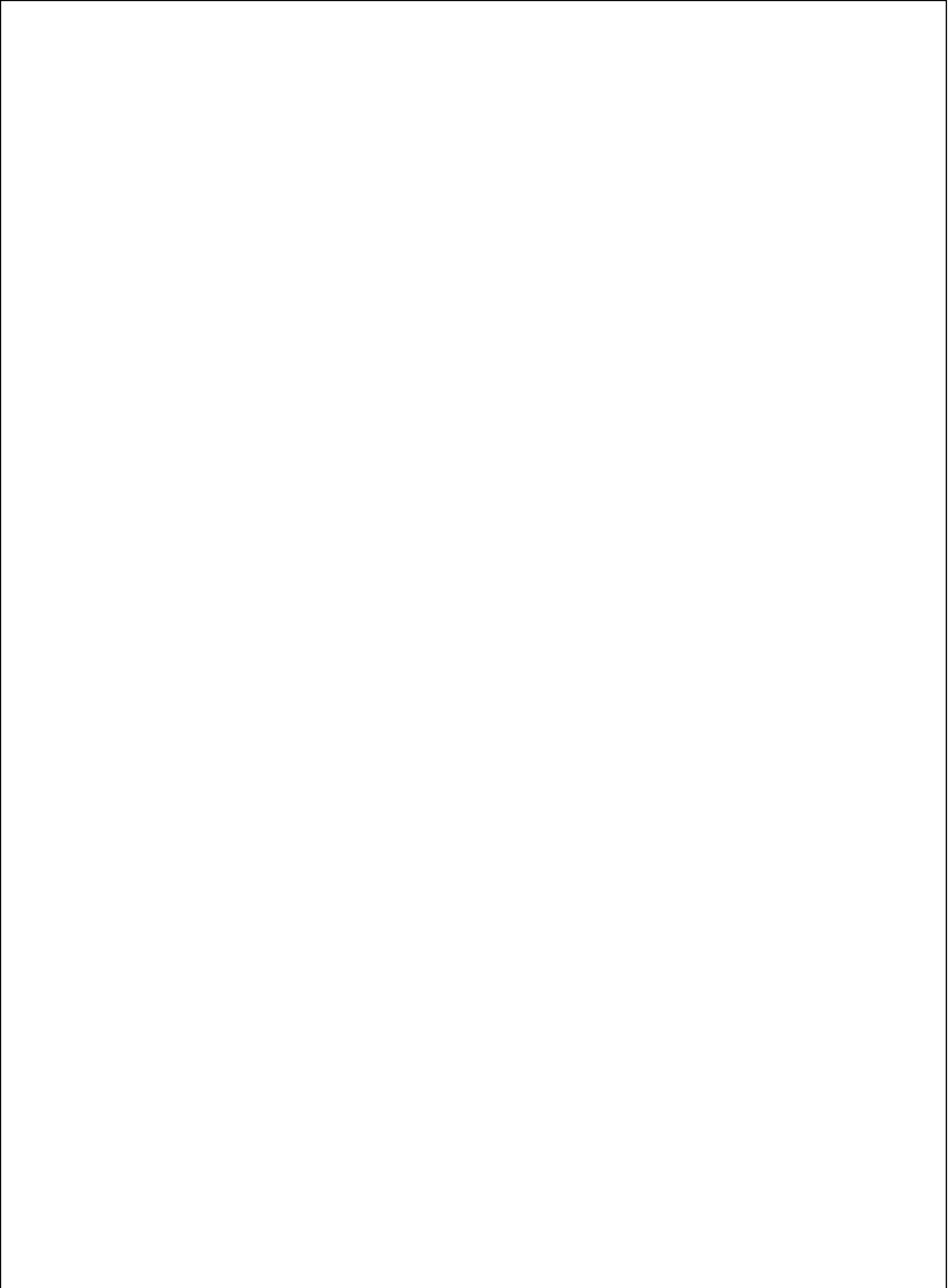
<b>LIGHT</b>	
Li ght El ectroni cs CO , LTD.	
MODEL NAME: _____	LOT NO: _____
QUANTI TY: _____	
BI N: _____	
PACKI NG DATE: _____	
CUSTOMER P/N: _____	

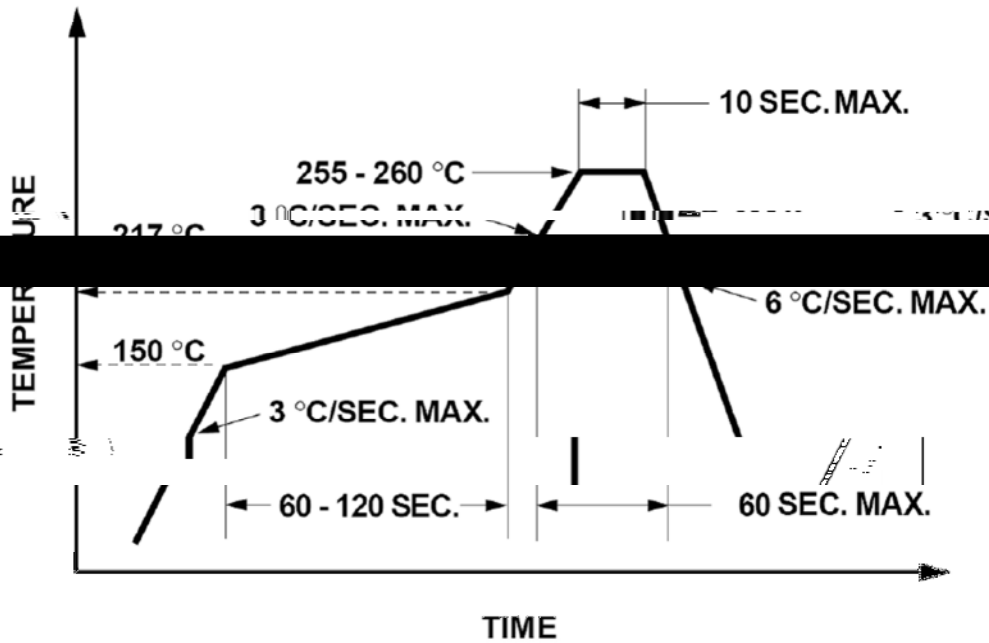
## Reel Dimensions



**Note:** Tolerance unless mentioned is  $\pm 0.2\text{mm}$ ; Unit = mm

LIG





1. Reflow soldering should not be done more than two times.
2. When soldering, do not put stress on the LEDs during heating.

**Soldering iron**

1. When hand soldering, the temperature of the iron must less than 300°C for 3 seconds.
2. The hand solder should be done only once.

**Repairing**

Repair should not be done after the LEDs have been soldered. When repairing is unavoidable, a double-head soldering iron should be used (as below figure). It should be confirmed beforehand whether the characteristics of LEDs will or will not be damaged by repairing.

