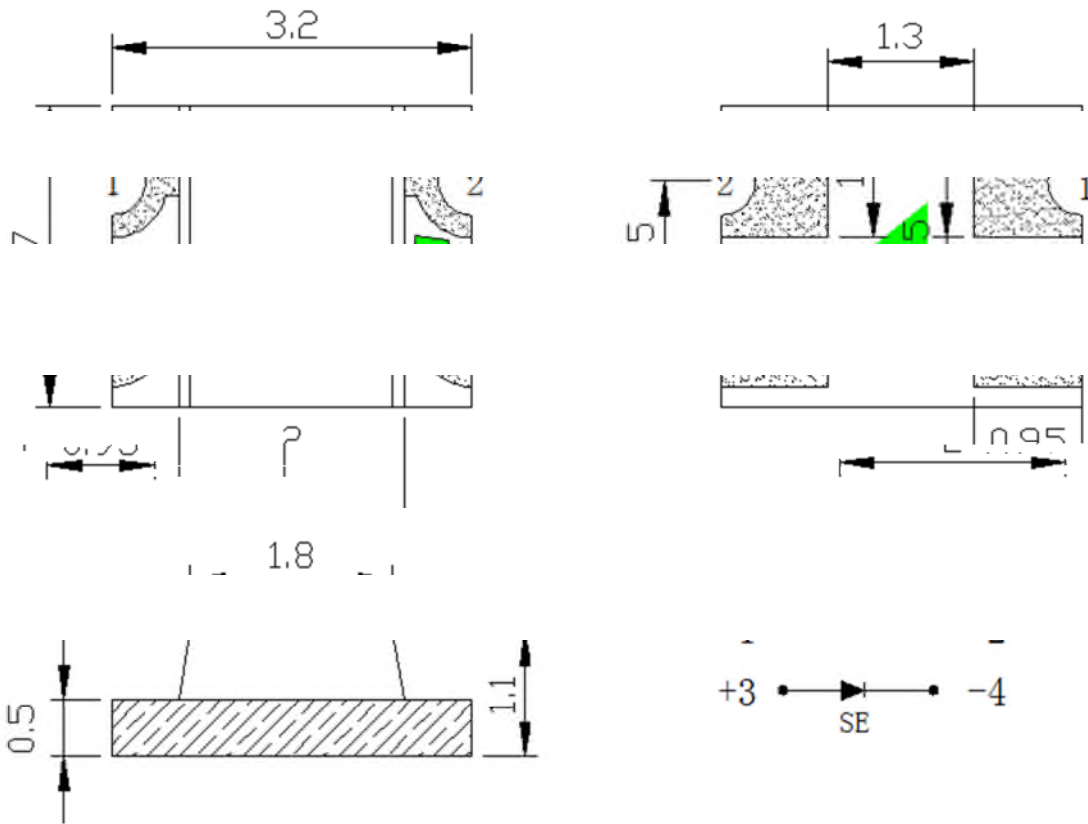


Features

- ◆ Pb free product—RoHS compliant
- ◆ Low power consumption, High efficiency
- ◆ Reliable and rugged
- ◆ Long life – solid state reliability

Package Dimension



| Part NO. | Lens Color | Source Color |
|---------------------|-------------|---------------------|
| SL-T3227GOC020-L110 | Water Clear | Yellow Green/Orange |

Notes:

1. All dimensions are in millimeters.
2. Tolerance is ±0.10mm unless otherwise noted.
3. Specifications are subject to change without notice.



Absolute Maximum Ratings at Ta=25

| Parameter | Yellow Green | Orange | Unit |
|--------------------------------|---------------|------------------------------------|------|
| Power Dissipation | 78 | 78 | mW |
| Peak Forward Cur2.0(e)4.(d)-Tm | [0.0(gtQ q BT | 0 g /F4 14.03 .12 0 0 1 107.52 470 | |

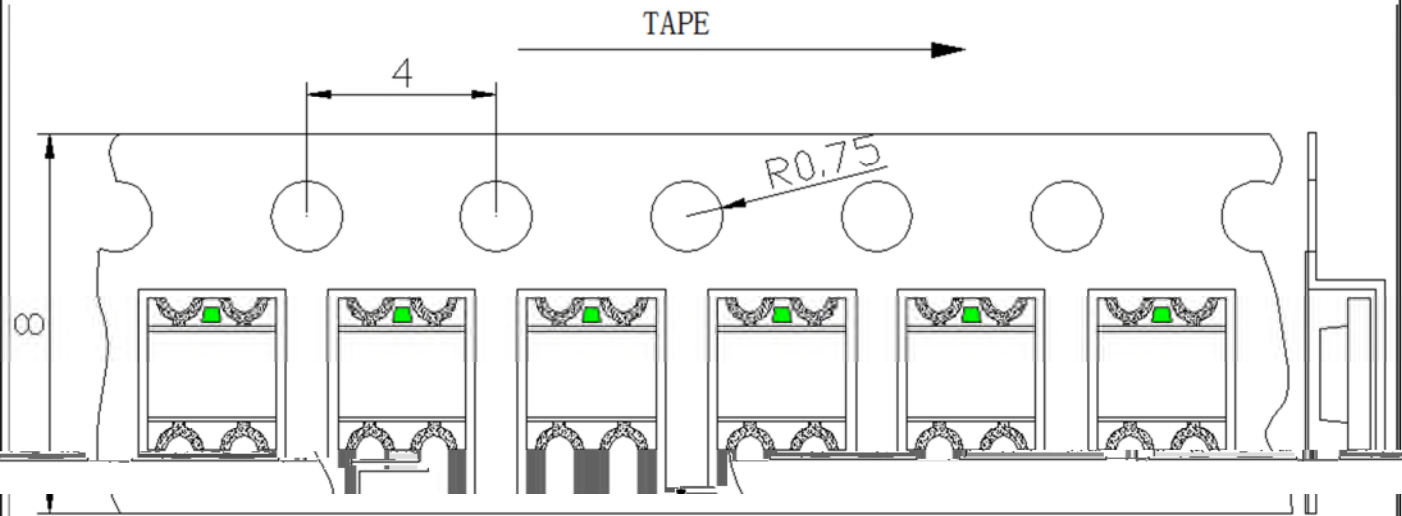
Electrical Optical Characteristics at Ta=25

| Parameter | Symbol | Color | Min. | Typ. | Max. | Unit | Test Condition |
|--------------------------|----------------|--------------|------|------|------|------|----------------------|
| Luminous Intensity | I _v | Yellow Green | 30 | --- | 70 | mcd | I _F =20mA |
| | | Orange | 70 | --- | 150 | mcd | I _F =20mA |
| | 1/2 | --- | --- | 120 | --- | Deg. | (Note 2) |
| Peak Emission Wavelength | | Yellow Green | --- | 575 | --- | nm | I _F =20mA |
| | | Orange | --- | 610 | --- | nm | I _F =20mA |
| | | Yellow Green | 568 | --- | 574 | nm | I _F =20mA |
| | | Orange | 600 | --- | 606 | nm | I _F =20mA |
| Spectral Line Half-Width | | Yellow Green | --- | 15 | --- | nm | I _F =20mA |
| | | Orange | --- | 15 | --- | nm | I _F =20mA |



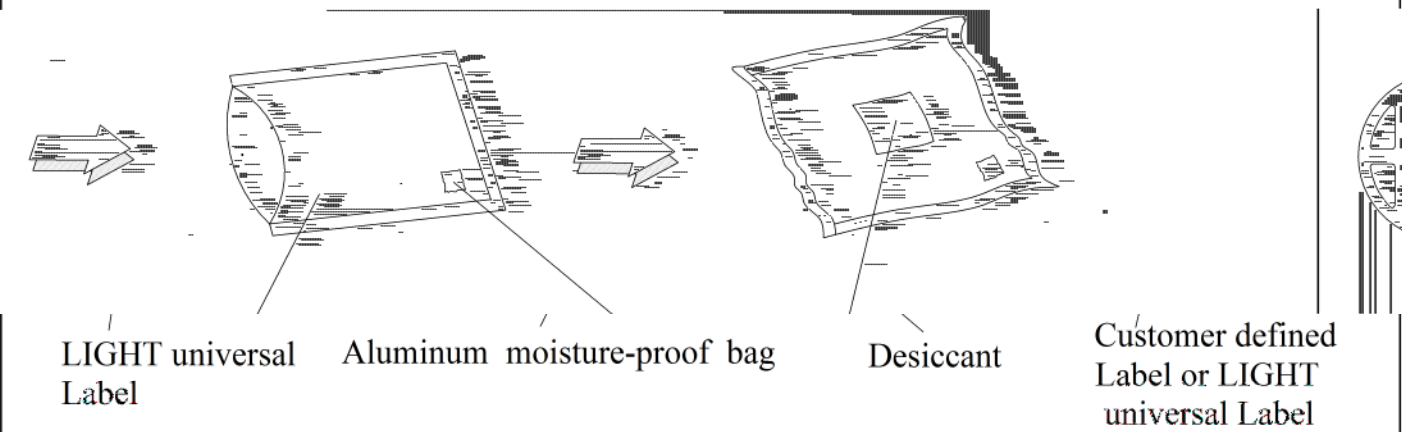


Carrier Tape Specifications

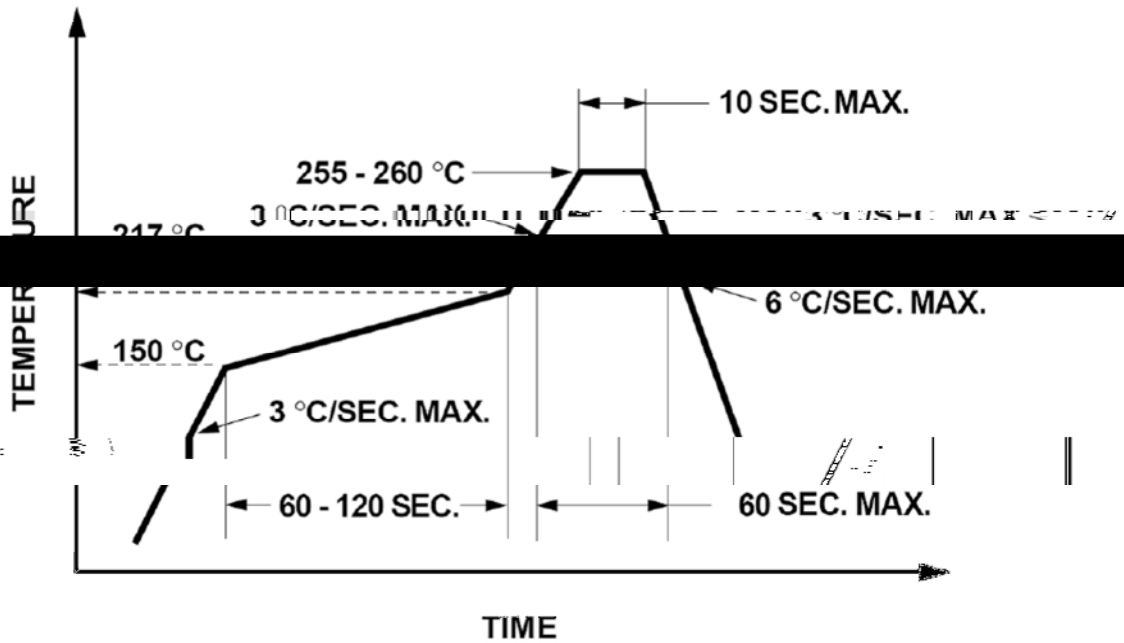


Note: Tolerance unless mentioned is $\pm 0.2\text{mm}$; Unit = mm

Moisture Resistant Packaging



Caution: Reflow Temperature for Lead-free



1. Reflow soldering should not be done more than two times.
2. When soldering, do not put stress on the LEDs during heating.

Soldering iron

1. When hand soldering, the temperature of the iron must less than 300°C for 3 seconds.
2. The hand solder should be done only once.

Repairing

Repair should not be done after the LEDs have been soldered. When repairing is unavoidable, a double-head soldering iron should be used (as below figure). It should be confirmed beforehand whether the characteristics of LEDs will or will not be damaged by repairing.

