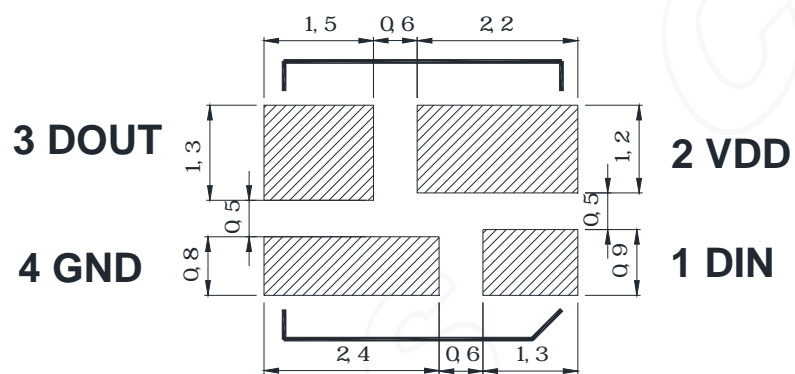


5.

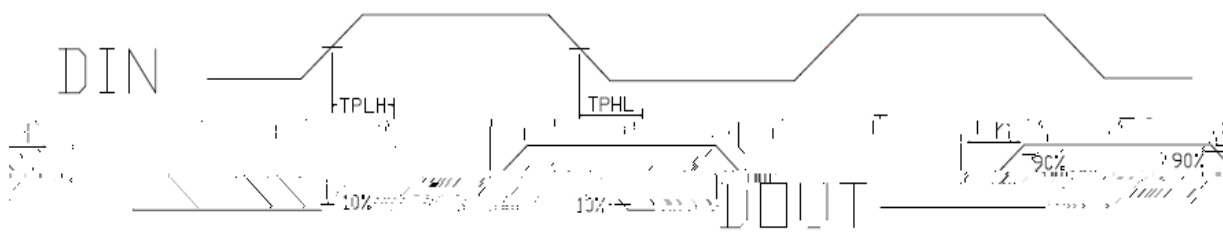
1	DIN		
2	VDD		
3	DOUT		
4	GND		

6.



10.

	fDIN	---	800	---	KHZ	67% 1
DOUT	T _{PLH}	---	---	500	ns	DIN→DOUT
	T _{PHL}	---	---	500	ns	
I _{out}	T _r	---	100	---	ns	V _{DS} =1.5V I _{OUT} =13mA I _{out} =5mA
	T _f	---	100	---	ns	



11.

		Min.		Max.	
T		1.20	--	--	μs
T0H	0	0.2	0.3	0.4	μs
T0L	0	0.8	--	--	μs
T1H	1	0.58	0.64	1.0	μs
T1L	1	0.2	--	--	μs
Trst	Reset	>80	--	--	μs

1.

“ 0” “ 1”

2.

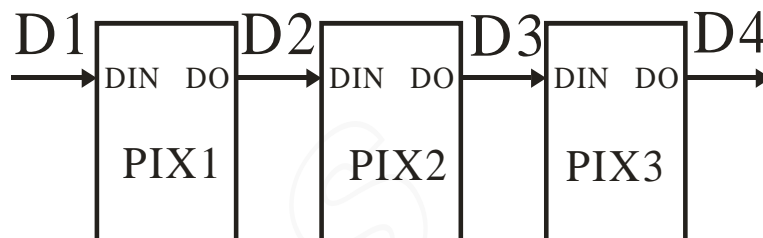
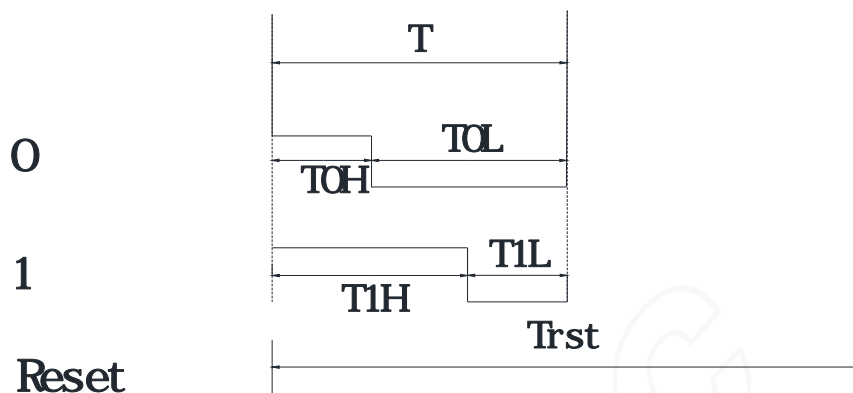
1.2μs

3. “0” “1”

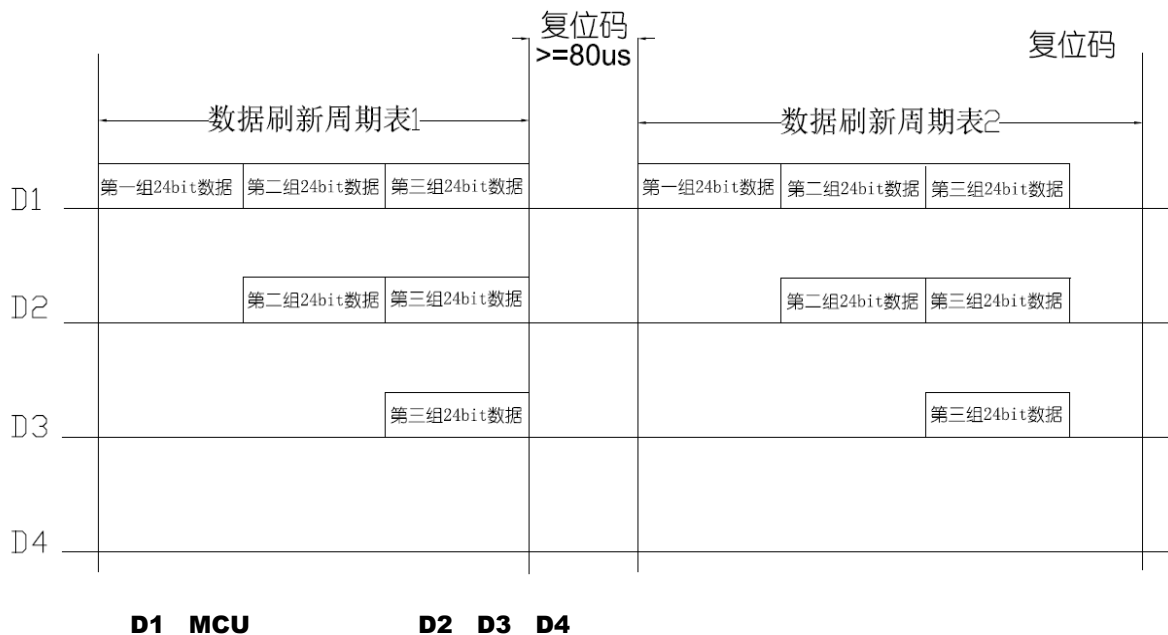
“0” “1”

20μs.

12.



13.

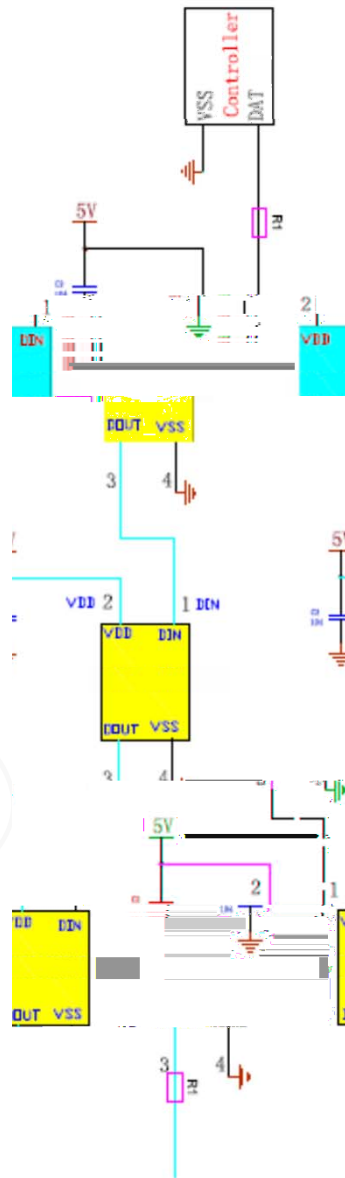


14. 24bit

G7	G6	G5	G4	G3	G2	G1	G0	R7	R6	R5	R4
R3	R2	R1	R0	B7	B6	B5	B4	B3	B2	B1	B0

GRB (G7 → G6 →.....B0)

15.



IC

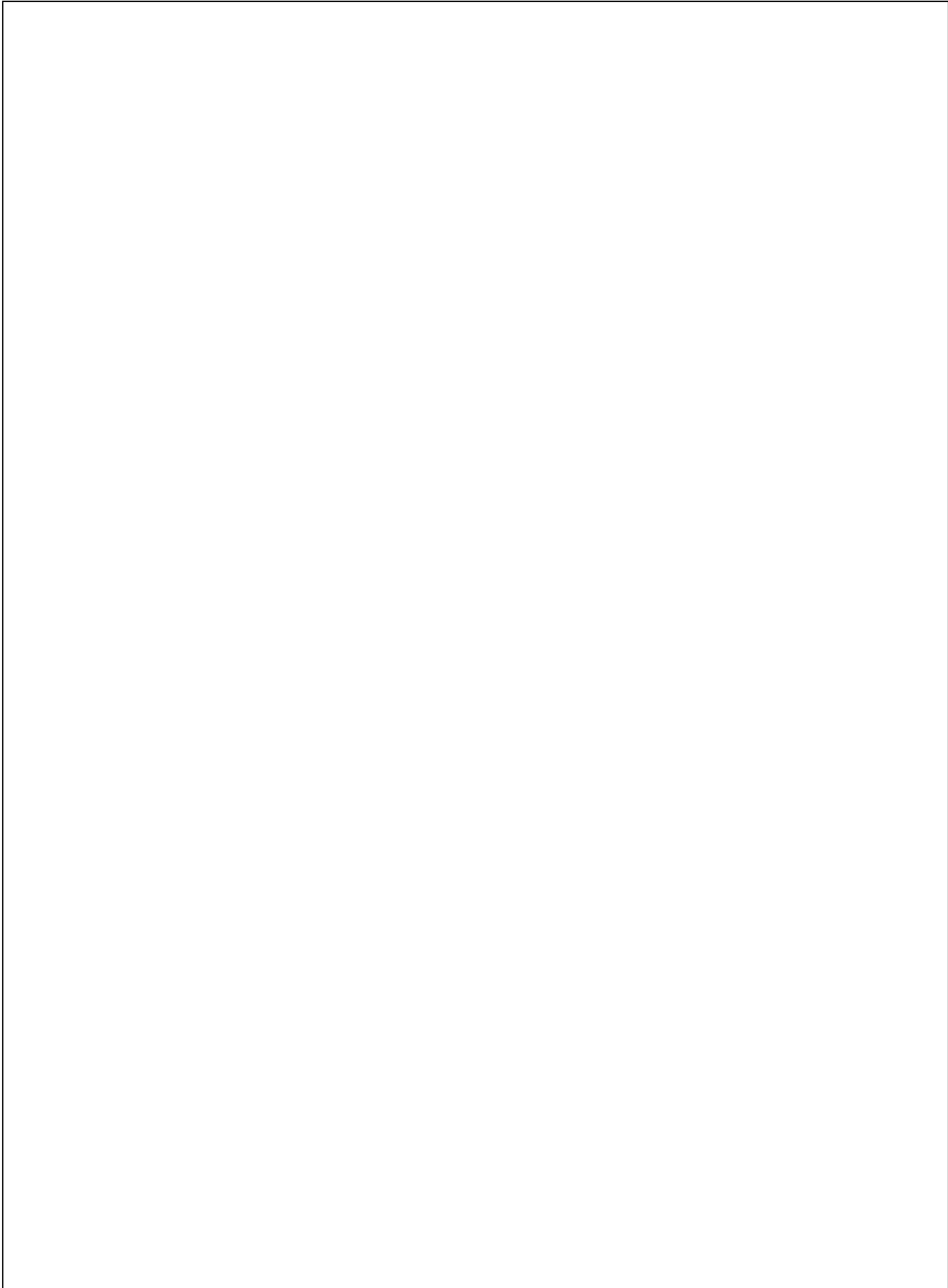
IC

R1

500

LIGHT

LIGHT ELECTRONICS CO., LTD.





1		100 ± 5° C ~ -40° C ± 5° C 30min~30min 300cycles	MIL-STD-202G	0/22
2		Ta= +100°C 1000hrs	JEITA ED-4701 200 201	0/22
3		Ta= -40°C 1000hrs	JEITA ED-4701 200 202	0/22
4		Ta=60°C RH=90% 1000hrs	JEITA ED-4701 100 103	0/22
5		- 55°C~25°C~100°C~25°C 30min~5min~30min~5min 100 cycles	JEITA ED-4701 100 105	0/22
6		Tsld = 260° C, 10sec. 3 times	JEITA ED-4701 300 301	0/22
7		25° C, IF: Typical current , 1000hrs	JESD22-A 108D	0/22

	IV	DC=5V,	X0.7	---
	---	DC=5V,		

LIGHT

LIGHT ELECTRONICS CO., LTD.



3.3.

LED SMT
TOP SMD <30 C/60%RH 2



3.4.

0.5H

PCB

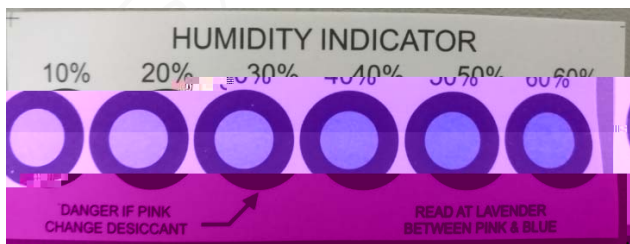
PCB SMT



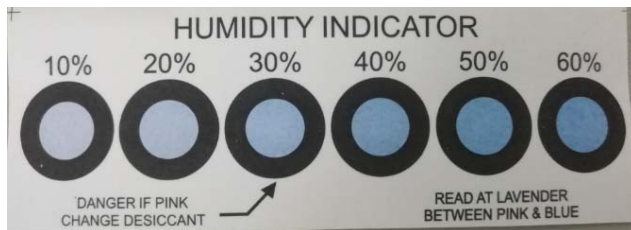
3.5.

TOP SMD LED

- a. 10% LED
- b. 10% 20%
- c. 10% 20% 30%



10% 20%



10% 20% 30%

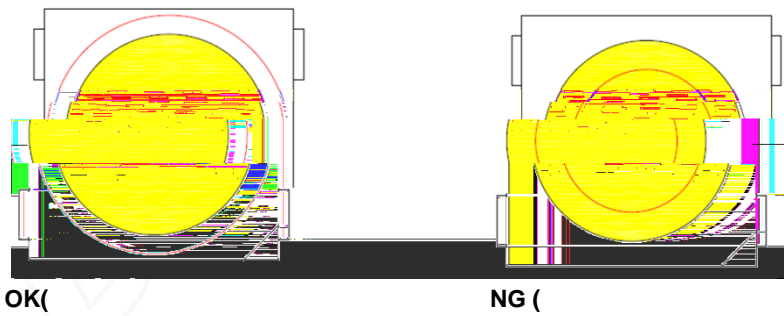




x	p	
	i	
	x	
i	x	
p		

3.8.

. SMT



OK

NG

PCB

LED

0.5T
LEDs

PCB

PCB

3.9.

. LED LED PCB LED

. LED LED

. 60 C(60 C,

4.0. IC

. IC LED

. IC

. IC LED LED

.

.

. LED .

4.1.

LED LED

LED