

# **LG-ITR2C-553924**

## **DATA SHEET**

SPEC.NO.: SZ19090505  
DATE: 2019/09/09  
REV. A/0

Approved By:

Checked By:

Prepared By:

## ■ Features

- 
- 
- 
- 
- 
- 

## ■ Descriptions

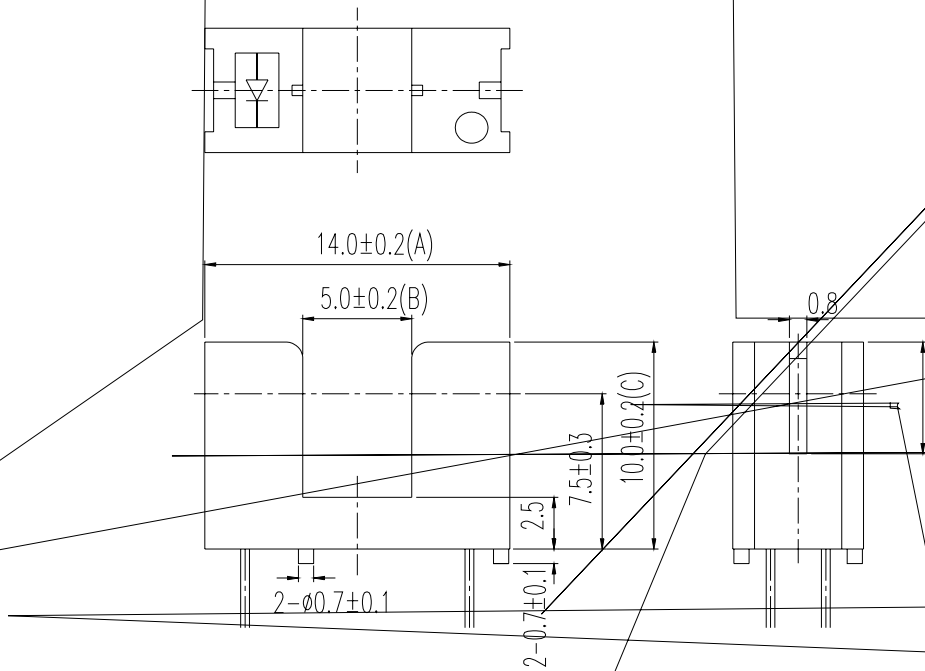
## ■ Applications

- 
- 
- 
- 
- 

## ■ Device Selection Guide

Device No.	Chip Material	LENS COLOR

## ■ Package Dimensions



### Notes:

1. All dimensions are in millimeters.
2. Tolerances unless dimensions  $\pm 0.25$ mm.
3. Lead spacing is measured where the lead emerge from the package.



