

LG-ITR2C-553924

DATA SHEET

SPEC.NO.: SZ19090505
DATE: 2019/09/09
REV. A/0

Approved By:

Checked By:

Prepared By:

■ Features

- Fast response time
- High analytic
- Cut-off visible wavelength $\lambda = 940\text{nm}$
- High sensitivity
- Pb free
- The product itself will remain within RoHS compliant version

■ Descriptions

The LG-ITR2C-553924 consist of an infrared emitting diode and an NPN silicon phototransistor, encased side-by-side on converging optical axis in a black Thermoplastic

Housing The phototransistor receives radiation from the IRED only .This is the normal Situation. But when an object is in between , phototransistor could not receives the radiation.

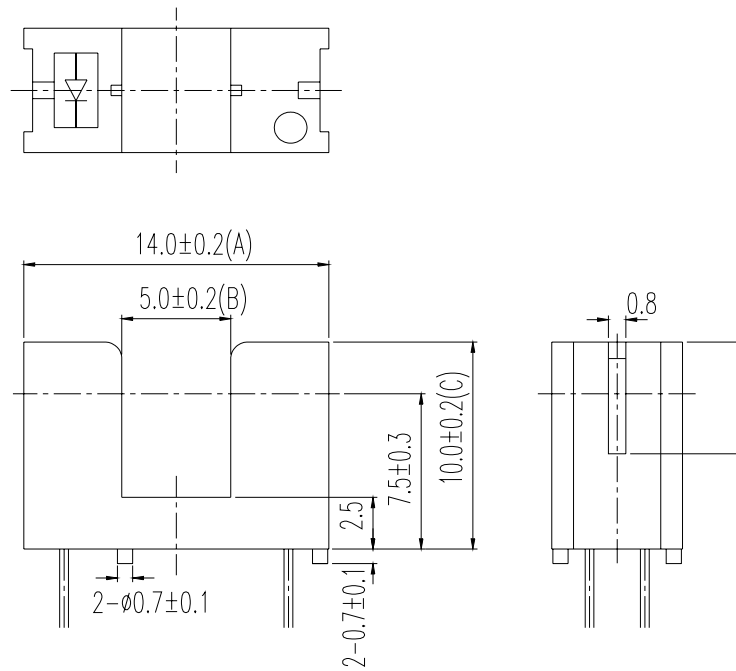
■ Applications

- Mouse Copier
- Switch Scanner
- Floppy disk driver
- Non-contact Switching
- For Direct Board

■ Device Selection Guide

Device No.	Chip Material	LENS COLOR
IR	GaAlAs	Water Clear
PT	Silicon	Black

■ Package Dimensions



Notes:

1. All dimensions are in millimeters.
2. Tolerances unless dimensions ± 0.25 mm.
3. Lead spacing is measured where the lead emerge from the package.



